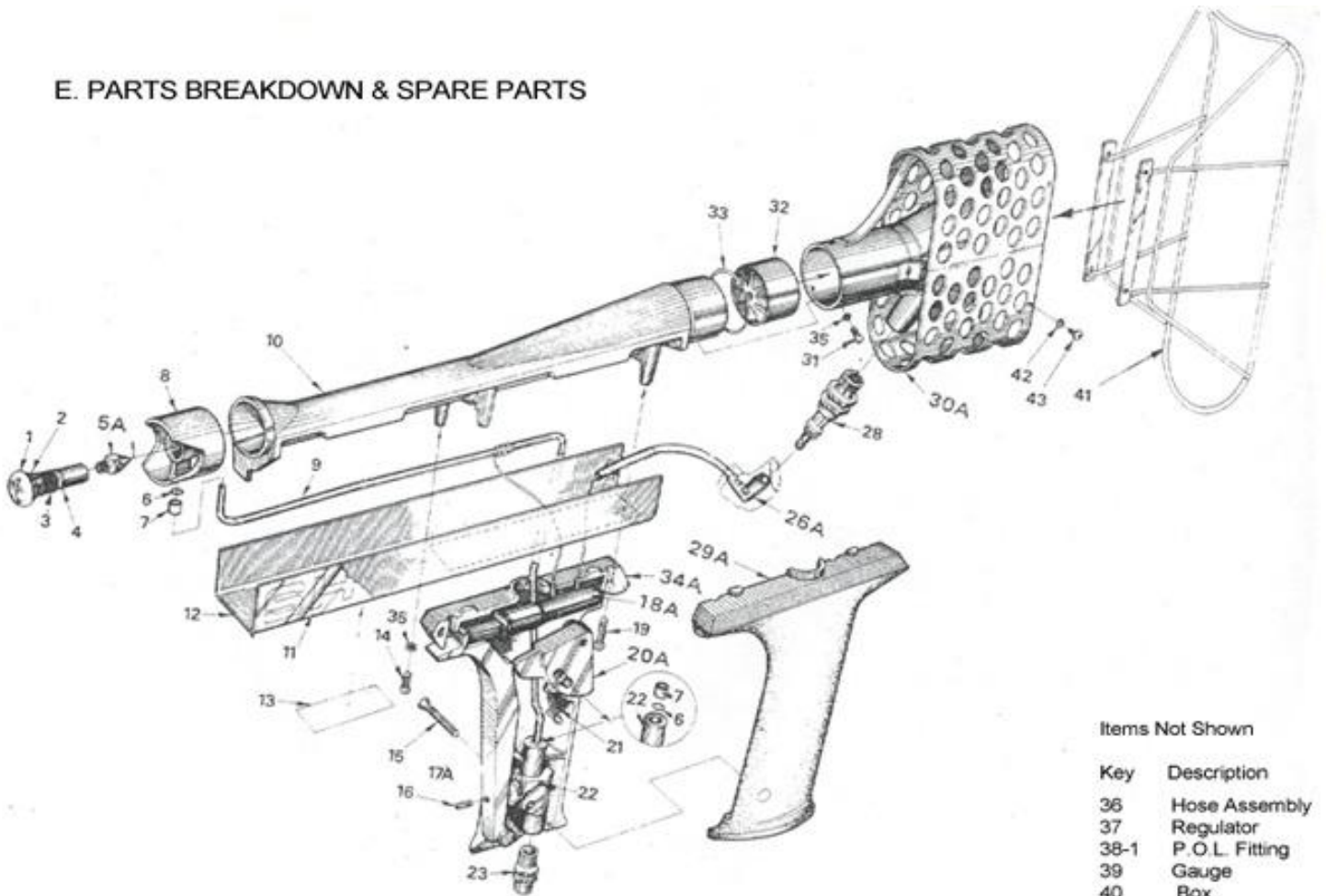


The Model 975

E. PARTS BREAKDOWN & SPARE PARTS



Items Not Shown

Key	Description
36	Hose Assembly
37	Regulator
38-1	P.O.L. Fitting
39	Gauge
40	Box

Key Description

1 Orifice Holder
2* "O" Ring
3* Filter
4* "O" Ring
5A Orifice
6* "O" Ring
7 Retainer
8 Inlet
9 Fuel Line
10 Body
11 Label
12 Channel
13 Serial No. Label
14 Rd. Hd. Phil Scr.
15 Flat Hd. Phil Hd.
16 Scr.
17A Slot Set. Scr.
18A Trigger
19 Igniter
20 Rd. Hd. Phil. Hd.
Scr.
Safety

Key Description

21 Spring
22* Valve Assem.
23 Hose Adapter
26A UL Boot &
28 Connector
29A Spark Plug
30A Handle - R.S.
31 Combustor
32* Rd. Hd. Phil. Scr.
33* Flame Holder
34A "O" Ring
35 Handle - L.S.
36 Lock Washer
37 Hose Assembly
38- Regulator
1 P.O.L. Fitting
39 Gauge
40 Box
41 UL Gaurd
42 Washer
43 Screw

* Suggested Spare Parts